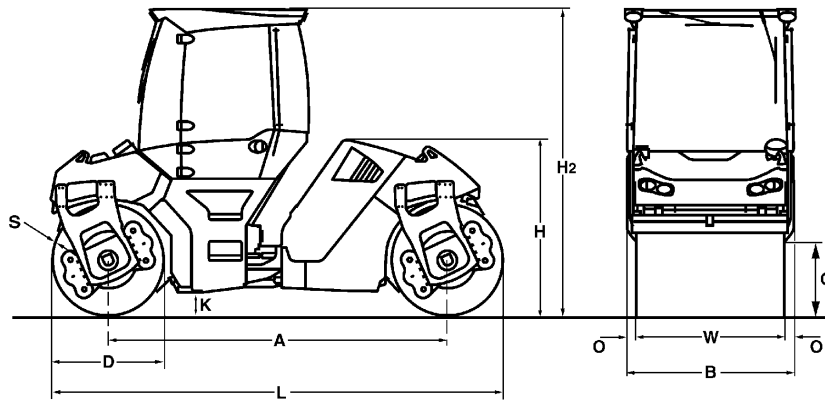


TECHNICAL DATA

TANDEM ROLLERS

BW 161 AD-5, BW 190 AD-5, BW 202 AD-5





Dimensions in mm

	A	B	C	D	H	H2	K	L	O	S	W
BW 161 AD-5	3620	1836	670	1220	2315	3050	250	4840	78	17	1680
BW 190 AD-5	3620	2146	670	1220	2315	3050	250	4840	78	19	1990
BW 202 AD-5	3620	2291	670	1220	2315	3050	250	4840	78	19	2135

Shipping dimensions in m3

BW 161 AD-5
BW 190 AD-5
BW 202 AD-5

without ROPS

20,572
 24,045
 25,670

with ROPS

27,103
 31,679
 33,820

Machine type	Compaction output (m3/h) at recommended soil layer thicknesses		
	Gravel, sand	Mixed soil	Silt, clay
BW 161 AD-5	150-320	140-260	100-220
BW 190 AD-5	260-500	180-360	140-220
BW 202 AD-5	280-550	200-400	150-250

Machine type	Compaction output (t/h) at different asphalt layer thicknesses		
	2-4 cm	6-8 cm	10-14 cm
BW 161 AD-5	50-100	100-200	150-230
BW 190 AD-5	70-120	120-230	190-300
BW 202 AD-5	80-160	130-270	200-340

Technical Data

BOMAG BW 161 AD-5

BOMAG BW 190 AD-5

BOMAG BW 202 AD-5

Weights

Operating weight CECE w. cab.	kg	10.000	12.050	12.300
Axle load, front CECE	kg	5.100	6.200	6.350
Axle load, rear CECE	kg	4.900	5.850	5.950
Static linear load, front CECE	kg/cm	30,4	31,0	29,7
Static linear load, rear CECE	kg/cm	29,2	29,3	27,9
Grossweight	kg	11.000	13.000	13.500

Dimensions

Track radius, inner	mm	4.900	4.745	4.673
Length (without towing hitch)	mm	4.840	4.840	4.840

Driving Characteristics

Max. travel speed	km/h	0- 12,0	0- 15,0	0- 12,0
Max. gradeability without/with vibr.	%	35/30	35/30	35/30

Drive

Engine manufacturer		Deutz	Deutz	Deutz
Type		TCD 3.6 L4	TCD 3.6 L4	TCD 3.6 L4
Emission stage		StageV / TIER4f	StageV / TIER4f	StageV / TIER4f
Exhaust gas aftertreatment		DPF+SCR	DPF+SCR	DPF+SCR
Cooling		Liquid	Liquid	Liquid
Number of cylinders		4	4	4
Performance ISO 14396	kW	95,0	95,0	95,0
Performance SAE J 1995	hp	127,0	127,0	127,0
Speed	min-1	2.300	2.300	2.300
Electric equipment	V	12	12	12

Brakes

Service brake		hydrost.	hydrost.	hydrost.
Parking brake		multi disc	multi disc	multi disc

Steering

Steering system		oscil.artic.	oscil.artic.	oscil.artic.
-----------------------	--	--------------	--------------	--------------

Exciter system

Vibrating drum		front + rear	front + rear	front + rear
Autom. vibr. shut off		standard	standard	standard
Frequency	Hz	40/53	40/55	40/53
Amplitude	mm	0,87/0,44	0,90/0,34	0,84/0,31
Centrifugal force	kN	95/90	126/88	126/88
Centrifugal force	t	9,7/9,2	12,8/9,0	12,8/9,0

Capacities

Fuel	l	145,0	145,0	145,0
Water	l	750,0	750,0	750,0

Technical modifications reserved. Machines may be shown with options.

Standard Equipment

- 2 amplitudes / 2 frequencies
- ECOMODE
- Autom. vibration operation
- Individual vibration control
- Driver's seat, slewable
 - laterally slidable with steering wheel
- Emergency stop button
- On-board computer
 - engine speed
 - Speedometer
 - Fuel consumption
 - Engine temperature
- V-belt protection
- Pressure sprinkling system with 2 pumps
- Indicator and hazard lights
- Back-up alarm
- Battery disconnect switch
- Compartments for documents and tools

Optional Equipment

- ROPS cabin with seat belts
 - + heating, Ventilation
 - + 4 Working head lights
- ECONOMIZER
- ROPS cabin with air conditioning
- Rotary beacon
- Crab-walk to both sides (170mm)
- 2 LED-lights for cabin roof (flatbeam)
- Edge cutter
- Special painting
- Environmentally compliant hydraulic oil
- Radio/Radio preparation
- ROPS/FOPS with safety belt
- Precision spreader BS180 laterally slidable
- Precision spreader BS180
- Asphalt temperature display
- Lighting for drum edge front and rear
- Seat heating
- Frequency
 - 67Hz(BW161),70Hz(BW190/202)
- Approval by the German TÜV
- BOMAG TELEMATIC POWER
- Outside mirrors
- BOMAP compaction navigation with GPS

